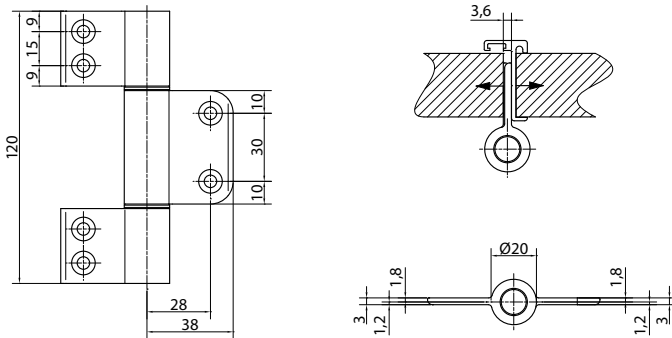


# Aluminium butt hinge SYS-AL28-1/3



## Technical facts

Size:	120,0 mm
Knuckle diameter:	20 mm
Hinge pin diameter:	12 mm
Hinge pin:	Stainless steel
Spring core:	Sleeve: steel galvanised, Spring: spring steel Stainless steel (additional charge)
Recommended fixation:	Counter-sunk screw 5 x 65 mm (not included)
Packing unit:	10 hinges



## Tender specification

SYSKO-Aluminium butt hinge Type: SYS-AL28-1/3 for unrebated partition walls  
 3-parts butt hinge for fixation to door-narrow-side without cutout  
 Hinge surface aluminium anodised or powder-coated  
 Bush bearing in nylon to guide hinge pins  
 Available as standard hinge (AL28-1/3S) or spring hinge (AL28-1/3F)

Article	Description	Order number
AL28-1/3S DIN L	Standard hinge aluminium anodised	84AL2813SEVL
AL28-1/3S DIN R	Standard hinge aluminium anodised	84AL2813SEVR
AL28-1/3F DIN L	Spring hinge aluminium anodised	84AL2813FEVL
AL28-1/3F DIN R	Spring hinge aluminium anodised	84AL2813FEVR
AL28-1/3S DIN L	Standard hinge powder-coated (11 colours - colour chart enclosed)	84AL2813S_ _ _ _L (Please specify RAL no.!)
AL28-1/3S DIN R	Standard hinge powder-coated (11 colours - colour chart enclosed)	84AL2813S_ _ _ _R (Please specify RAL no.!)
AL28-1/3F DIN L	Spring hinge powder-coated (11 colours - colour chart enclosed)	84AL2813F_ _ _ _L (Please specify RAL no.!)
AL28-1/3F DIN R	Spring hinge powder-coated (11 colours - colour chart enclosed)	84AL2813F_ _ _ _R (Please specify RAL no.!)
Additional charge	Spring core, spring and sleeve in stainless steel	MP84FKES120

## Notes

---



---



---



---



---



---



---



---