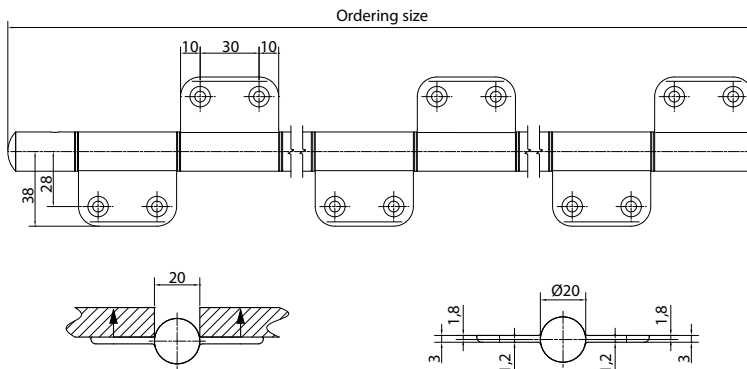


Aluminium butt hinge SYS-AL-KITA1 (kindergarden hinge with integrated finger protection)



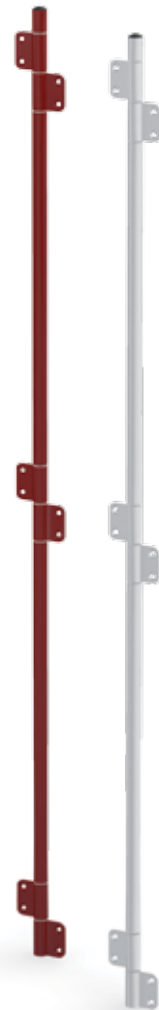
Technical facts

Size:	up to 1500 mm (customer request) up to 2000 mm (additional charge)
Knuckle diameter:	20 mm
Hinge pin diameter:	12 mm
Hinge pin:	Stainless steel
Recommended fixation:	Sleeve nuts and lens head counter-sunk screw, DIN 964 M6 x 10 (for panel thickness 13 mm) (not included)



Tender specification

SYSKO-Aluminium butt hinge Type: SYS-AL-KITA1 for kindergarden partition walls
 Suitably for 13 to 30 mm panel material
 Finger protection is guaranteed through hinge construction
 Fixation without additional cutout
 Hinge surface aluminium anodised or powder-coated
 By default self-closing through spring force
 Rubber lips, brushes or special profiles are not required at the hinge side



Article	Description	Order number
AL-KITA1 DIN L	KITA-hinge aluminium anodised	84ALKITA1EVL
AL-KITA1 DIN R	KITA-hinge aluminium anodised	84ALKITA1EVR
AL-KITA1 DIN L	KITA-hinge powder-coated (11 colours - colour chart enclosed)	84ALKITA1 ____L (Please specify RAL no.!)
AL-KITA1 DIN R	KITA-hinge powder-coated (11 colours - colour chart enclosed)	84ALKITA1 ____R (Please specify RAL no.!)
End cap at the top	Grey or black	
Additional charge	Sleeve nut and counter-sunk screw in stainless steel (12 pieces included)	MP84M6KITA
Additional charge	Facility high up to 2000 mm (end caps not included)	MP84KITA2
Additional charge	Spring core, spring and sleeve in stainless steel	MP84FKES102
Price reduction	Not self-closing (without spring core)	Order specification: "not self-closing"

Notes
